

**ELECTRICAL SPECIFICATIONS @ 25°C +/- 5°C unless otherwise noted:**

**Insertion Loss:** 1-100MHZ -1.0dB MAX

**Return Loss:** 1-30MHZ -16.0dB MIN  
 30-60MHZ -14.0dB MIN  
 60-80MHZ -10.0dB MIN

**Cross Talk:** 1-30MHZ -40.0dB MIN  
 30-60MHZ -35.0dB MIN  
 60-80MHZ -30.0dB MIN

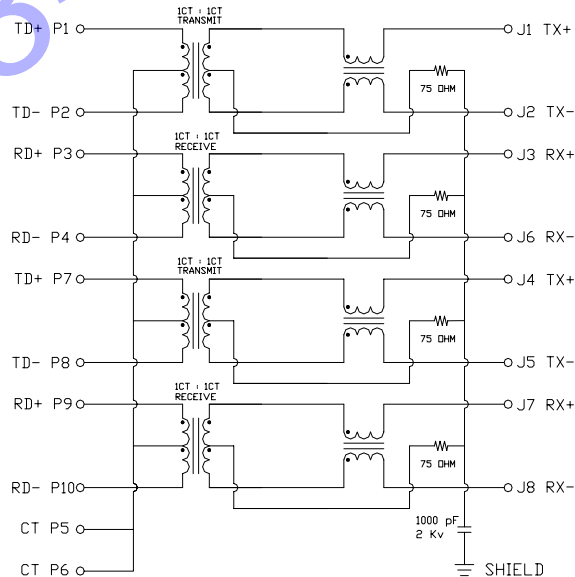
**CMR:** 1-100MHZ -35.0dB MIN

**Hi-Pot:** 1500v AC 6S 1mA

**OCL:** 350uH MIN @ 100KHZ 100mV 8mA DC

**Contacts:** 0.35mm thick phos bronze plated with 6u' gold in contact area

**Operating temperature range:** 0°C to +70°C



**Turn Ratio:** 1CT:1CT +/- 3%

**Housing Material:** PBT Black

|                   |                                      |                             |           |
|-------------------|--------------------------------------|-----------------------------|-----------|
| HDC电子有限公司         | UNIT: mm<br>.xx +/-0.25 .xxx +/-0.13 | Approved By : Herman Au     |           |
|                   | 1000BASE<br>1X2Tab-Down RJ45         | ***P/N:H+ ' \$' **F>() %L&% | REV.<br>A |
| Drafted by CZ Lin |                                      | Sheet 1 of 1                |           |